



PROJECT		REF		REV	ITEM CODE	
LOCATION		DATE			PAGE	

SANITARY WARE SPECIFICATION SHEET

<p>Item Descriptions</p> <p>Dimensions</p> <p>Model</p> <p>Finish</p> <p>Country of origin</p> <p>Manufacturer</p> <p>Supplier</p> <p>Contact Tel/Fax</p> <p>E-mail</p> <p>Website</p>	<p>GROHE (Germany) "Allure" Single-lever chrome plated free stand basin mixer 1/2" XL-Size</p> <p>L140 x W101 x H412 mm</p> <p>32249000</p> <p>Chrome Plated</p> <p>Germany</p> <p>GROHE Limited</p> <p>Acme Sanitary Ware Co. Ltd Mr. Eric Wong/ Mr. Don Yuen</p> <p>(852) 2388-7171 / (852) 2710-8012</p> <p>acme@acmesanitary.com.hk</p> <p>www.acmesanitary.com.hk</p>	<p>Illustration/ Drawing</p> <p>GROHE SilkMove®</p> <p>GROHE StarLight®</p> <p>GROHE QuookFix®</p>
<p>"Allure" Basin mixer 1/2" XL-Size</p> <ul style="list-style-type: none"> · monobloc installation · for free-standing basins · 28 mm ceramic cartridge with GROHE SilkMove · GROHE StarLight chrome finish · GROHE EcoJoy 6.0 l/min. flow limiter · rapid installation system · mousseur · pop-up waste set 1 1/4" · flexible connection hoses 		

Note:

* All information of the above is for the reference only. No prior notice is made if any changes.



PROJECT		REF		REV	ITEM CODE	
LOCATION		DATE			PAGE	

SANITARY WARE SPECIFICATION SHEET

GROHE ALLURE



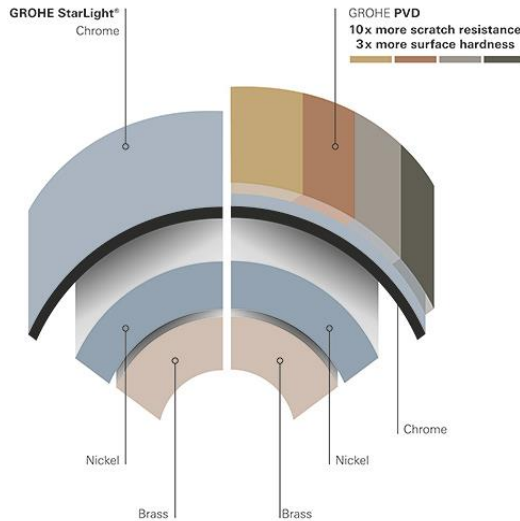
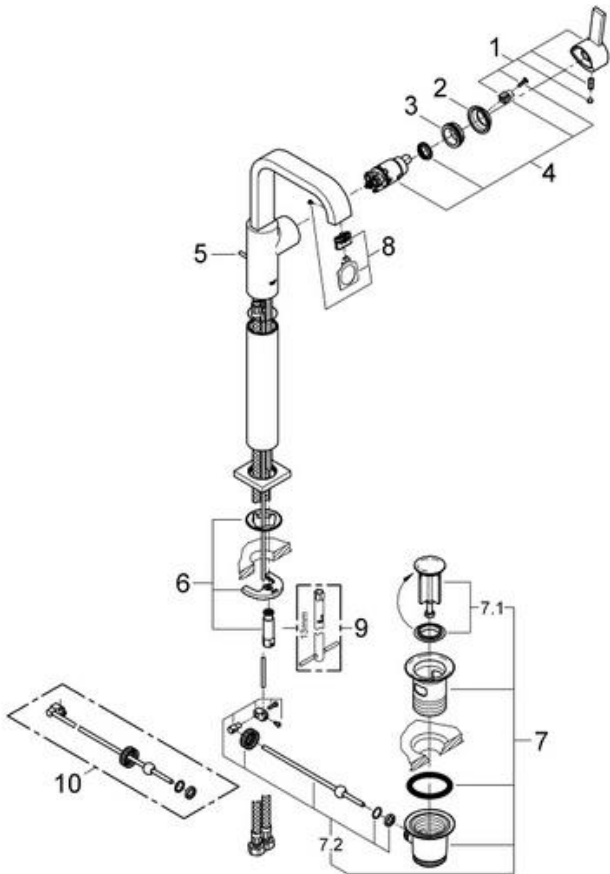
GROHE QuickFix Plus quick and easy installation in a few simple steps

Save time on the installation of your tap with GROHE QuickFix Plus. Consisting of fewer parts, our new system makes the installation process quicker and easier than ever.

BEAUTY MEETS FUNCTION

Perfectly balanced proportions on the outside and technically advanced on the inside – Allure unites inherent beauty with unmatched performance. Cylindrical bodies rise from square and rectangular base plates adding to its minimalist appeal, while the collection offers a choice of two handle styles – a flat lever or a tri-spoke design – to meet your exacting requirements.

Faucets and fittings in this collection illustrate our commitment to unrivalled quality in the bathroom.



GROHE surface hardness



Chrome PVD

GROHE scratch resistance



Chrome PVD

Pos.-nr.	Prod. description	Order-nr.
1	Lever	46610000
2	Cap	46581000
3	Fitting ring	07419000
4	Cartridge	46580000
5	Pop-up rod	46739000
6	Shank fastening assembly	46671000
7	Waste set 1 1/4"	28910000
7.1	Plug for waste set 1 1/4"	07182000
7.2	Eccentric rod	07052000
8	Mousseur	13220000
9	Mounting wrench	19017000*
10	Ball rod	07341000*
Optional accessories		

Note:

* All information of the above is for the reference only. No prior notice is made if any changes.